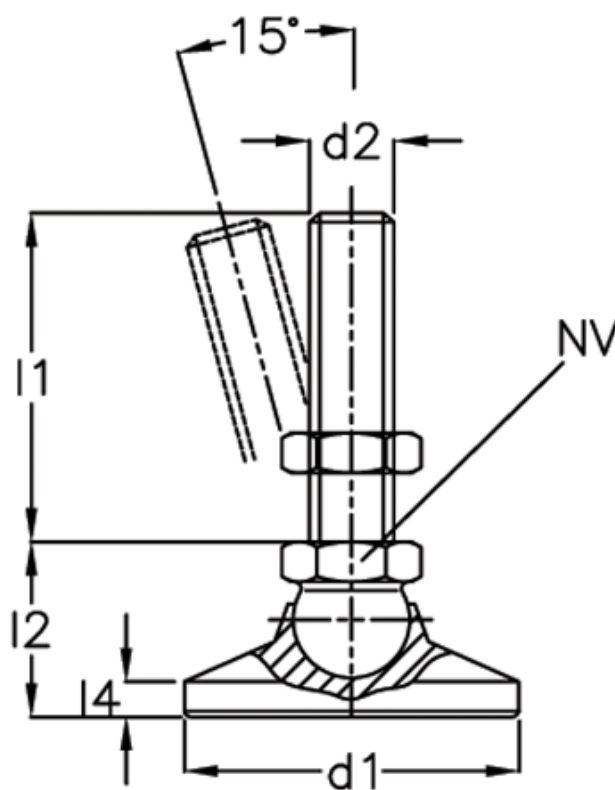


Article number: 20343660M20158OS

Description: E+G levelling foot
GN 343.6-60-M20-158-OS

Measures



A/F	= 24
d1	= 60
d2	= 20
l1	= 158
l2	= 36
l4	= -
Static load (N)	= 45
Weight in (g)	= 740